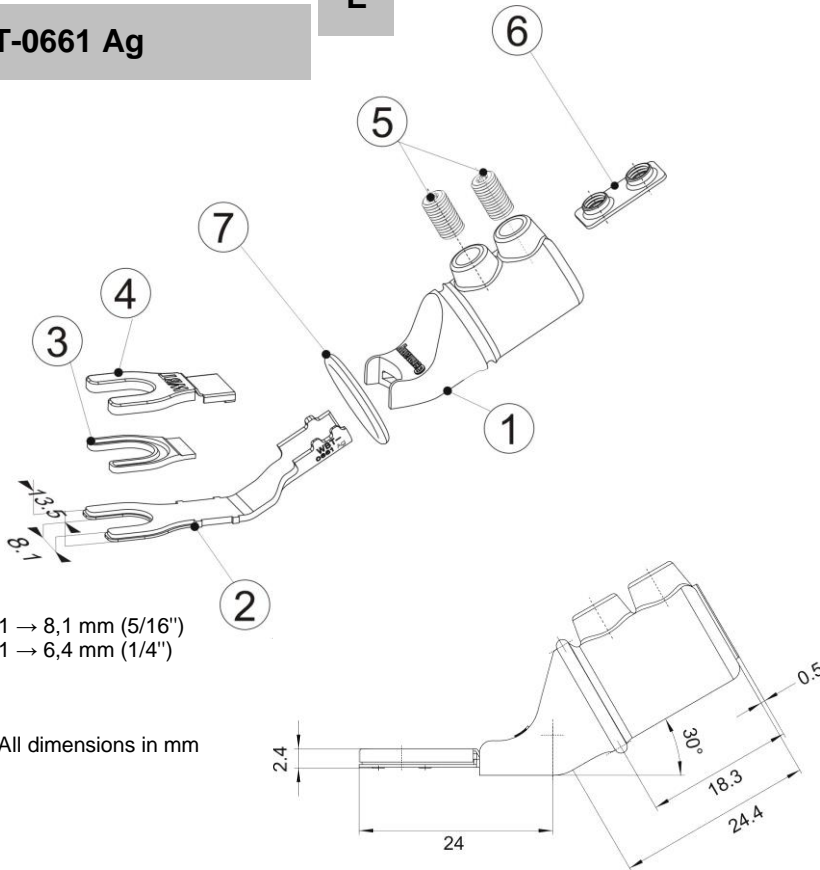
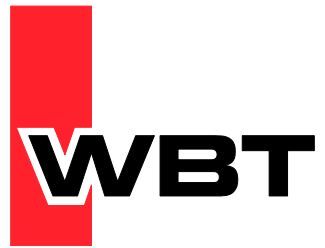


WBT-0681 Ag

WBT-0661 Ag

E



| Table of contents | | |
|--|--|---|
| 1 | Base Element, PC | 1 |
| 2 | Signal Conductor, fine silver | 1 |
| 3 | Vibration Damper, elastomer, TPE | 1 |
| 4 | Absorber Cap, VA | 1 |
| 5 | Grub Screw, Ms, Torx ¹⁾ M4 x 8,5 mm | 2 |
| 6 | Thread Plate, VA, non-ferromagnetic | 1 |
| 7 | Marking Ring, TPU (red, white or black) | 1 |
| Extent of delivery: 1-7, all parts mounted | | |
| Revision date 10.10.2025 | | |

¹⁾Torx® is a registered trademark of Camcar Textron • ²⁾CE is the obligatory conformity symbol of the EU • ³⁾IEC is the abbreviation for International Electrotechnical Commission • ⁴⁾Makrolon® is a registered trademark of Bayer AG • WBT and nextgen™ are registered trademarks of WBT-Industrie GmbH

WBT - nextgen™

- Hybrid construction for high contact quality
- Environmentally friendly and resource-saving production
- Fully automated production Made in Germany, 100%!

WBT-0661 / 0681 Ag nextgen™ Sandwich Spade



certified according to
EN IEC 62 368-1 (ES1, PS3),
UL - V1
and
RoHS compliant



Accessories / useful tools:

WBT offers a wide range of crimping accessories:

Cable End Sleeves

- made of fine silver (from 1.5 to 6 mm² / AWG 15 to 9)

Crimping Pliers

- for the above mentioned tasks



This product can expose you to chemicals including phthalates, lead or lead compounds which are known to the State of California to cause cancer and birth defects or other reproductive harm. For more information go to www.P65Warnings.ca.gov.

WARNING

High-current spade lug with elastomer shock absorber for progressive contact pressure eliminating structure-borne and air-borne noise as well as magnetostriction. With insulation body for safety conformable use as loudspeaker cord plug admissible in line with CE²⁾-EN 60065 and the international standard IEC³⁾ 65 (>34.5 volts).

1. Mechanics

- one-piece construction, contact elements with narrow tolerance
- dual screwing cage (contact, strain relief)
- elastomer shock absorber (hydraulic principle)

2. Materials

- Signal Conductor: fine silver
- Absorber Cap: high-grade steel VA, non-ferromagnetic
- Vibration Damper: TPE
- Base Element: Makrolon⁴⁾, CE²⁾-conformable in-line with EN 60065 and IEC³⁾ 65, T.-max. 85-110° C
- Marking Ring: TPU (thermoplastic polyurethane), red, white or black, temperature max. 50-95° C

3. Surface

- Signal Conductor: fine silver, pure

4. Operating Characteristics

- constant current ID = 102 A
- authorized max. peak current IS = 103 A
- contact resistance R_ü < 10⁻⁴ Ohm
- insulation resistance R_{iso} > 10¹⁴ Ohm
- electric strength of the insulation > 30 kV

5. Connection Options

- designed for solder-free crimped connections
- internal terminal for crimped cable ends up to 10 mm² (7 AWG), permanent fixing by self-securing headless screws (0.5 Nm tightening torque recommended)
- external terminal with 6 mm or 8 mm contact fork

Warning: The use of contacting agents and cleaners containing solvents can lead to damage to the plastic components.