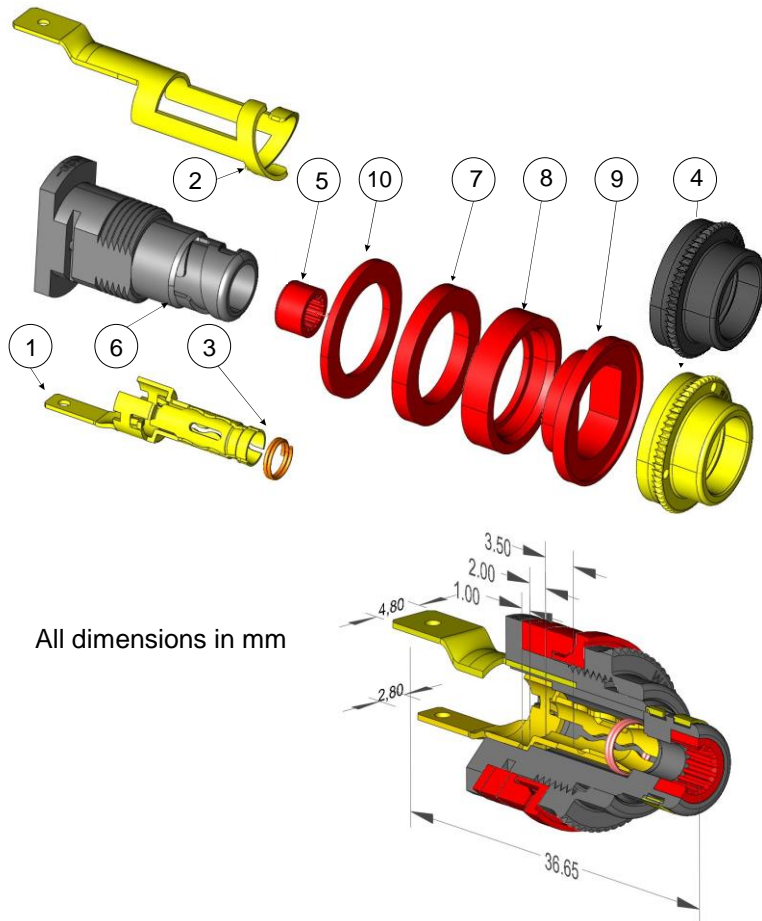


WBT-0210 Cu

WBT-0210 Cu Ms

E



All dimensions in mm

Component list

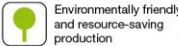
1	Signal Conductor 'Plus', pure copper	1
2	Signal Conductor 'Minus', pure copper	1
3	Contact Spring, bronze	1
4	Counter Nut, PC or Ms, gold-plated	1
5	Marking Ring, PA 6	1
6	Base Element, PC	1
7	Space Washer, 2 mm, PA 6	1
8	Step Washer, 3,5 mm, PA 6	1
9	Double Step Washer, PA 6	1
10	Space Washer (opt.), 1 mm, PA 6	1

Extent of delivery 1 – 9 mounted

Revision date 08.07.2024

WBT, nextgen™ and PlasmaProtect™ are registered trademarks of WBT-Industrie GmbH

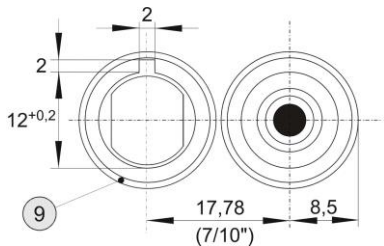
WBT - nextgen™



WBT-0210 Cu (Ms) nextgen™ Coaxial Socket

(Internat. Pat. EP 0 460 145 B1)

Coaxial socket for cabinet mounting, *soldering / crimp version*



recommended mounting



WBT-0210 Cu



WBT-0210 Cu Ms

Characteristic Impedance 75 Ω up to 1 GHz
RoHS compliant

1. Mechanics

- one-piece low tolerance contact elements (Tol. $< \pm 0,02$ mm)
- outer conductor with low capacitance patented contact form
- inner socket with well-defined contact surface, WBT active spring mechanism with enclosing bronze spring; large spring travel for constant contact pressure even with imprecise counter pieces

2. Materials

- Signal Conductor (1), (2) pure copper
- Base Element (6) PC
- Mounted Parts (7), (8), (9) PA 6
- Marking Ring (5) PA 6
- Counter Nut (4) PC or Ms, gold-plated

3. Surfaces

- Signal Conductors (1), (2) 24k nickel-free direct gold plating by PlasmaProtect™, non-ferromagnetic
- Optional Counter Nut in Ms (4) gold-plated, non-ferromagnetic

4. Operating Characteristics (reliable observed after more than 10^3 connections/disconnections)

- Permanent current $I_0 > 5$ A
- Transition resistance $R_{ti} < 0,1$ mOhm
- Contact resistance $R_{Bi}, R_{Ba} < 0,1$ mOhm (patch resistance, inner / outer)
- Self capacitance $C \approx 2,5$ pF
- Insulation resistance $R_{ia}, R_{ag} > 10^{10}$ Ohm (conductor/conductor, conductor/chassis)
- Characteristic impedance $Z = 75$ Ohm up to 1 GHz

5. Connection

- solder for cables up to 1.5 mm² or 2.8 mm resp. 4.8 mm flat push-on cable shoe

6. Mounting

- problem-free by hand¹⁾ using the knurled nut
- recommended distance between socket centres: 17.78 mm = 7/10 inch (standard)
- cabinet wall thickness less than 6 mm, adjustable by included Step Washers (7), (8), (10)

¹⁾ in order to achieve a wide band transmission characteristic, both for analog and digital signals, with a constant impedance of 75 Ω the Base Element (6) is made of PC with self-locking fine thread for mounting. Please avoid excessive torque.

Warning: The use of contacting agents and cleaners containing solvents can lead to damage to the plastic components.