

# FURUTECH

PURE TRANSMISSION



## *The Silver Arrows-II series Silver Hybrid OCC Phono Cable*



*Silver Arrows-II*



*Silver Arrows-II-L*



*Silver Arrows-II-R4*

### *La Grande Épreuve*

Grand Prix racing's single focus: Testing the absolute limits of technology and performance. Furutech builds each and every cable in their line the same way. Optimized engineering solutions applied to advanced materials and processes with utterly meticulous build quality for the ultimate test.

Phono cartridge output is vanishingly small and easily polluted by RFI and EMI. Every element of signal transfer must be perfectly engineered to avoid distortion that robs music of life. If you're going to the trouble of playing vinyl why swamp the low-level signal in a veritable soup of noisy distortion right at its source!

All enthusiasts are looking for the same qualities: Verisimilitude to the original event, a sense of engagement promoting suspension of disbelief, an immersion in audio and video experience. To engage without effort requires meticulous preparation of the entire playback chain especially including cables and most importantly at the signal source.

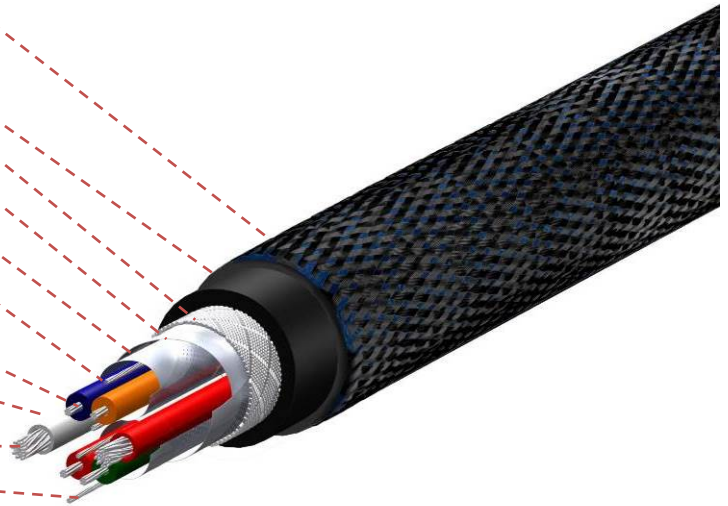
The Silver Arrows-II Phono Cable achieves its remarkably quiet soundstage and transparent presentation with  $\alpha$  silver hybrid OCC conductor, three-layer shielding and external ground wire, even a specially engineered cable clamp to improve grip and avoid any potential distortion and Furutech's Neo-damping technology for ultimate performance.

### *Silver Arrows-II Phono Cable Features*

- $\alpha$  (Alpha) Silver Hybrid OCC Conductors
- Three-layer shielding for improved noise insulation
- Four-way grounding and external ground wire
- Insulation/Dielectric: Audio grade SR-PVC and Nitrogen injected skin-foam-skin polyethylene
- Connectors: Furutech-engineered rhodium-plated Carbon and Stainless finished CF-DIN connector or L-DIN connector and CF-102(R)  $\alpha$  (Alpha) OCC RCA connectors or CF-601M XLR connectors.
- Carefully engineered cable clamp improves grip and reduces mechanical and electrically-induced distortion
- Dimensions: Cable diameter approx. 10.0 mm • Overall length: 1.2M/set

### Cable Construction:

- Double Layer Audio Grade Nylon Sleeve
- The RoHS compliant sheath incorporates special damping carbon particles
- Shield-3
- Shield-2
- Shield-1
- Audio Grade Nitrogen Injected skin-foam-skin PE Insulation (Blue/Orange/Green/Red)
- Silver Hybrid  $\alpha$  (Alpha) OCC Conductors-1
- Audio grade SR-PVC Insulation (Red/White)
- Silver Hybrid  $\alpha$  (Alpha) OCC Conductors-2
- Grounding conductors



**Silver Arrows-II series comes terminated with Furutech's high end performance CF-DIN or FP-DIN(L) and CF-102(R) RCA Connectors or CF-601M XLR connectors (By Request).**



CF-DIN



CF-102



FP-DIN(L)



CF-601M-----By Request

### Features for CF-DIN

- Rhodium-plated  $\alpha$  (Alpha) Phosphor bronze conductor
- Audio-grade Fluoropolymer Insulated Body
- Nonmagnetic stainless steel and Carbon fiber finished Housing
- Conductor wire fixed by soldering.
- Dimensions: 14.2mm diameter x 40.2mm overall length

### Features for FP-DIN (L)

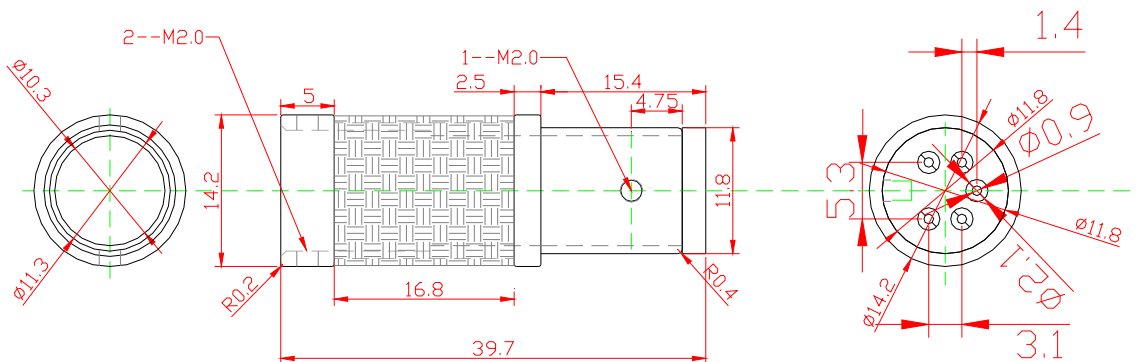
- Rhodium-plated  $\alpha$  (Alpha) Phosphor bronze conductor
- Audio-grade Fluoropolymer Insulated Body
- Nonmagnetic Zn-Mg hybrid die-casting Housing
- Conductor wire fixed by soldering.
- Dimensions: 45(L) X 19(W) X 33.4(H) mm approx.  
*adjustable pin orientation – only by custom order*

**Features for CF-102(R) RCA**

- α (Alpha) OCC rhodium-plated center conductor
- α (Alpha) copper alloy rhodium-plated body Insulated with Audio-grade Fluoropolymer
- Copper alloy conductor set screw
- Shells: Nonmagnetic stainless steel and layered carbon fiber
- Dimensions: 14.0mm diameter x 54.0mm overall length

**Features for CF-601M(R) XLR-----By Request**

- α (Alpha) Beryllium copper and phosphor bronze Rhodium-plated Conductor
- Carbon fiber and nonmagnetic stainless steel housing
- Body with Audio-grade PVDF Fluoropolymer insulation
- Specifically designed internal cable strain relief.
- Connections: Soldered
- Dimensions: 18.6mm ± 0.1mm diameter x 65.5mm ± 0.1mm overall length.



CF - Din Connector Out side Size

FURUTECH CO., LTD • [service@furutech.com](mailto:service@furutech.com) • [www.furutech.com](http://www.furutech.com)

Product name	Product Introduction	JAN CODE
Silver Arrows-II	Silver Hybrid phono Cable (DIN-RCA)	4580370440287
Silver Arrows-II-L	Silver Hybrid phono Cable (L DIN-RCA)	4580370440294
Silver Arrows-II-R4	Silver Hybrid phono Cable (RCA-RCA)	4580370440300
Silver Arrows-II-XLR	Silver Hybrid phono Cable (DIN-XLR)	By Request
Silver Arrows-II-L-XLR	Silver Hybrid phono Cable (L DIN- XLR)	By Request