

FURUTECH

PURE TRANSMISSION



High End Performance NCF series AC Inlet

NCF®



Special Prix

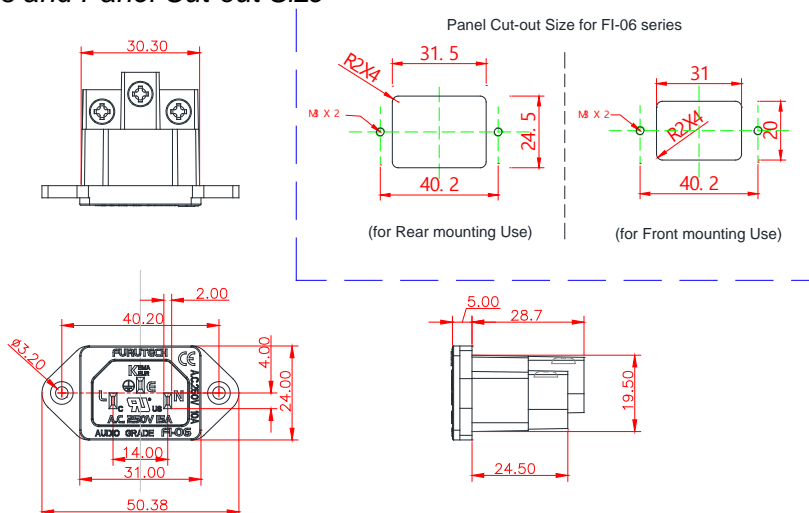
FI-06 NCF(R)

Nano Crystal² Formula - Nano Crystalline, Ceramic and Carbon Powder
Incorporated into select Furutech products, Nano Crystal² Formula --- NCF is comprised of a special crystalline material that has two "active" properties. First, it generates negative ions that eliminate static and secondly, it converts thermal energy into far-infrared. Furutech then combines this remarkable crystalline material with nano-sized ceramic particles and carbon powder for their additional "Piezo Effect" damping properties. The resulting Nano Crystal² Formula is the ultimate electrical and mechanical damping material – only found and in Furutech products!

Features

- α (Alpha) Pure-Copper Rhodium-plated Conductor
- Materials: Nylon/fiberglass with special "NCF" anti-resonance damping material - nano-sized crystalline, piezo ceramic particles and carbon powder
- Specifications: Accommodates wire diameters up to 3.5mm (set-screw)
- Dimensions: 50.5 (W) x 23.9mm (D) x 33.5mm (H) ±0.1mm
- Rated: 15A/250V

Dimensions and Panel Cut-out Size



Make A More Powerful Connection with Furutech!

FURUTECH CO., LTD • service@furutech.com • www.furutech.com