

# FURUTECH

PURE TRANSMISSION



## FT-SWS NCF (R)

### Furutech's Ultimate Performance SCHUKO Wall Socket

Non-magnetic Rhodium Plated Conductors Carbon Fiber Finished Front Plate

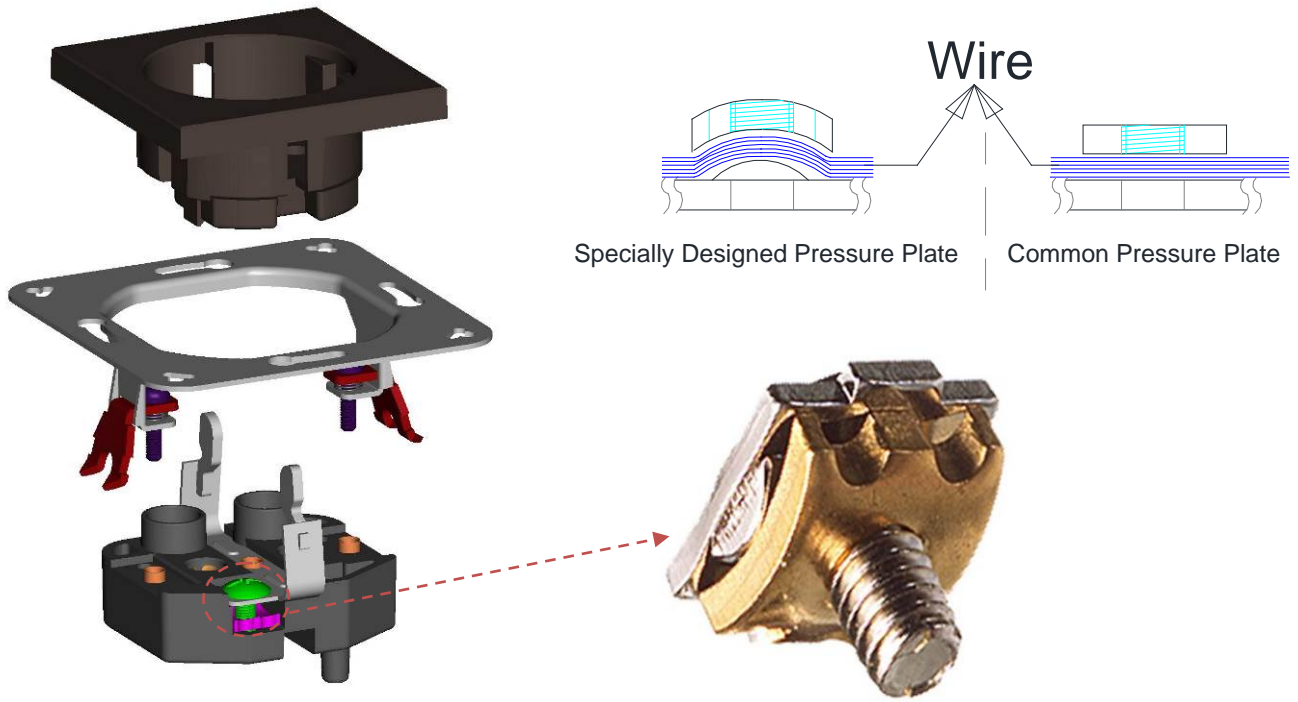
(Type: 2-pole+earth; Rating: 16A 250V A.C.)

#### Nano Crystal<sup>2</sup> Formula – Nano Crystalline, Ceramic and Carbon Powder

Incorporated into new NCF series of Furutech products, Nano Crystal<sup>2</sup> Formula — NCF is comprised of a special crystalline material that has two “active” properties. First, it generates negative ions that eliminate static and secondly, it converts thermal energy into far-infrared. Furutech then combines this remarkable crystalline material with nano-sized ceramic particles and carbon powder for their additional “Piezo Effect” damping properties. The resulting Nano Crystal<sup>2</sup> Formula is the ultimate electrical and mechanical damping material – only found in Furutech products!

#### Features

- $\alpha$  (Alpha) Pure Copper main Conductor (t : 0.5mm)
- Insulation Materials: Nylon/fiberglass incorporating special “NCF” anti-resonance damping material - nano-sized crystalline, piezo ceramic particles and carbon powder.
- 1.0mm thick Bracket with a Zinc/steel brace plate
- Carbon fiber finished Cast Zn-Mg Alloy Front Plate
- Specified for wire diameters of 2.8mm or 5.5 Sq.mm/10AWG Max. (set screw)
- Dimensions: 95.0mm (L) x 95.0mm (W) x 48.0mm(H)
- Furutech's total attention to detail and build quality extends right down to a specially designed patent-pending pressure plate (see below) that increases the contact area of the Alpha Conductors.



All metallic parts are treated with the  
*\*FURUTECH  $\alpha$  (Alpha) Process (Super Cryogenic & Demagnetizing Treatment.)*

FURUTECH CO., LTD  
 service@furutech.com

*Make A More Powerful Connection with Furutech!*

Product name	Product Introduction	JAN CODE
FT-SWS NCF <sub>(R)</sub>	SCHUKO Wall Sockets	