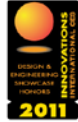


# FURUTECH

## PURE TRANSMISSION



*Furutech FT-807  
Fully Insulated Binding Post*

*Premier Performance and  
Legendary Build Quality*

### ***Furutech FT-807(R) & FT-807(G) Binding Posts***

All audiophiles search for the same qualities: Verisimilitude to the original event, a sense of engagement promoting suspension of disbelief, a visceral immersion in the audio video experience. They also know that everything in the signal path makes a difference, and that includes speaker binding posts.

Furutech's beautifully finished, beautiful sounding binding posts are the result of meticulous engineering and careful audition of various suitable materials. The FT-807 features an  $\alpha$  (Alpha) pure copper conductor for minimal impedance and extremely nonresonant Nylon/fiberglass with piezo ceramic damping material housing. The FT-807 is also fully insulated, perfect for high powered amplifiers.

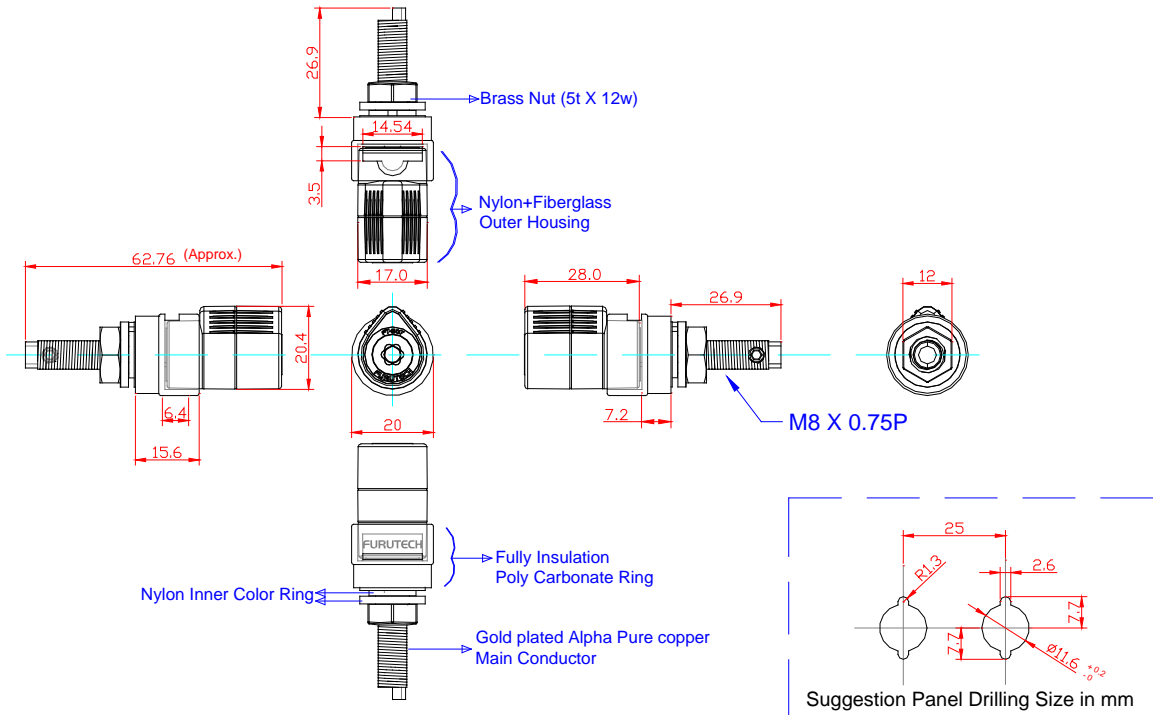
#### ***Features and Materials***

- Main conductor: Rhodium or 24k gold-plated  $\alpha$  (Alpha) Pure copper conductor
- Housing: Matte black finished nylon and fiberglass with piezo ceramic resin.
- Nylon (red/black) and Polycarbonate (Transparent hue) fully insulated
- Connections: Soldered or screw termination
- Specified for core diameters up to 4.5mm

**Dimensions:** Housing: 20.4 X 18.0 $\psi$  x 28.0mm (H) overall height

Insulation: Polycarbonate (Transparent black ) 20.0 $\psi$  $\pm$  0.2mm x 15.6mm(H),  
Total overall length: 62.76 mm approx.

# FT-807 Outside size



**Make a More Powerful Connection with Furutech!**

FURUTECH CO., LTD • [service@furutech.com](mailto:service@furutech.com) • [www.furutech.com](http://www.furutech.com)