

FURUTECH

PURE TRANSMISSION



*Refinement Has a New Name....
the Furutech*

*One piece wound-wire conductor
construction and Torque Guard Binding Posts*

*Premier Performance and
Legendary Build Quality*



FT-869(G) FT-869(R) Furutech Torque Guard Binding Posts

All audiophiles search for the same qualities: Verisimilitude to the original event, a sense of engagement promoting suspension of disbelief, a visceral immersion in the audio video experience. They also know that everything in the signal path makes a difference, and that includes speaker binding posts.

Furutech's revolutionary, patent-pending FT-860 Series One-Piece Wire-Wound Binding Posts are ideal for speaker builders, manufacturers and do-it-yourselfers looking for low-mass, quality engineered and superb-sounding terminals. The FT-860 Series is a first in speaker terminal design: The reduced metal mass of the binding post terminal pole piece lowers impedance values improving the sound even more. It's easy enough to follow a trend like low-mass binding posts -- less is more -- but Furutech engineers weren't satisfied with merely cutting away material and moving "new" and "improved" out the door. It has to work impeccably and sound glorious. Only Furutech has the expertise of materials, engineering horsepower and advanced processing to create products like the FT-860 Series with its innovative one-piece wire-wound conductor.

The FT-869 features an α (Alpha)-OCC one piece wound-wire conductor for minimal impedance and extremely nonresonant Nylon/fiberglass with piezo ceramic and carbon damping material housing and polycarbonate insulation eutectic copper alloy fixed ring. The FT-869 also features Furutech's patented Torque Guard technology, which prevents over-tightening, allows each post to be evenly tightened for improved channel balance and signal transfer.

Features and Materials

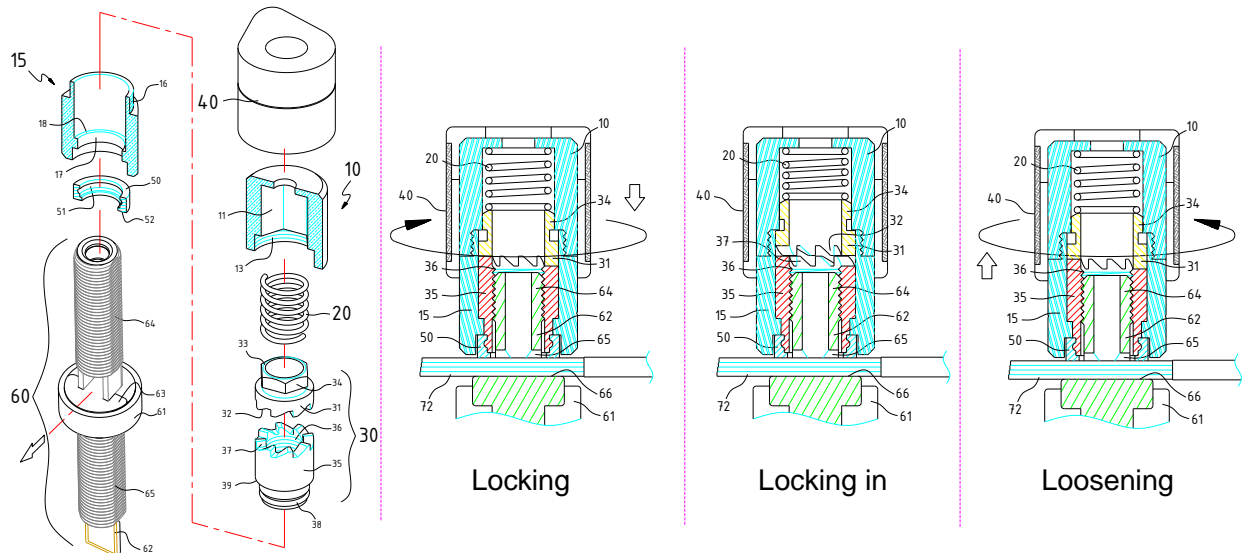
- Patent-pending Torque Guard construction
- Main conductor: α (Alpha) -OCC wound-wire conductor Rhodium or 24k Gold plated
- Housing: Nylon/fiberglass with piezo ceramic and carbon damping material
- Nylon (red/white) and Polycarbonate (clear) insulation
- Connections: Crimp termination
- Specified for core diameters up to 4.5mm

Dimensions: Housing unit: 25.0 ϕ x 30. mm (L) x 39.4mm overall height

Insulation: Polycarbonate (Clear) 19.3 ϕ x 7.3mm(H),

Total overall length: 79.4mm approx.

Patented Torque Guard unit Exploded and Sectional view



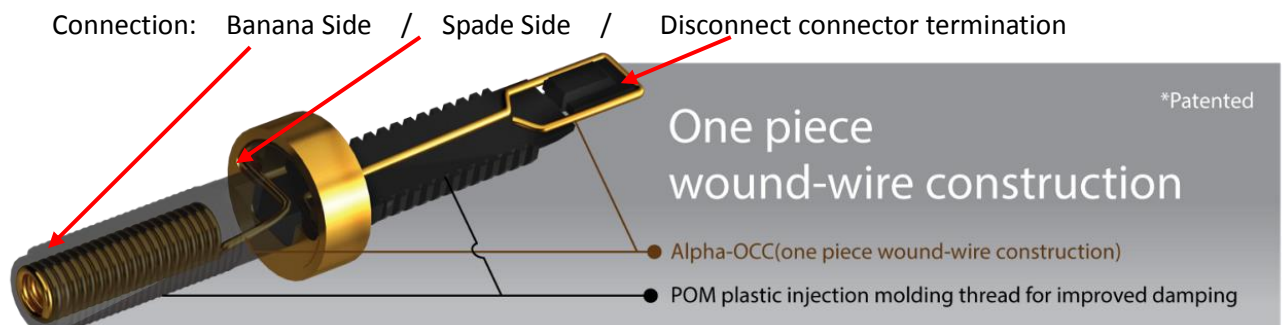
(20) Preset torsion value spring

(30) The teeth move the unit and once the torsion has surpassed the bracelet value setting the unit will reach idle operation.

(40) Nylon/fiberglass with piezo ceramic and carbon damping material Housing unit setting with 10,15,30 and 50

(60) Main conductor part: 62/63 = Alpha-OCC(one piece wound-wire construction),
64/65 = POM plastic injection molding thread for improved damping.

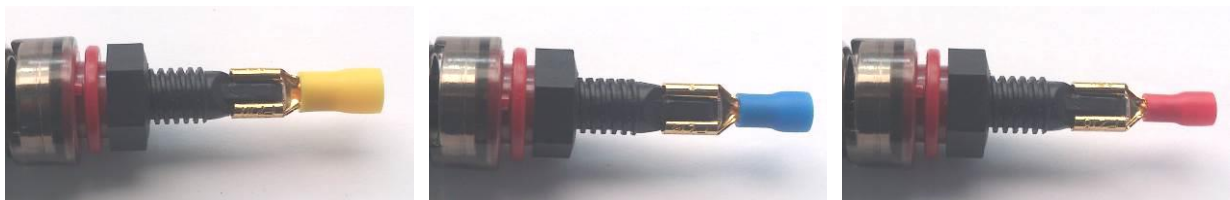
Patented wound-wire unit Exploded and Completed view



Connect with Fully Insulated Female Disconnect FT-210-S image
(α (Alpha) Pure copper)



Connect with Female Disconnect F250 series image (α (Alpha) Phorphos Bronze)

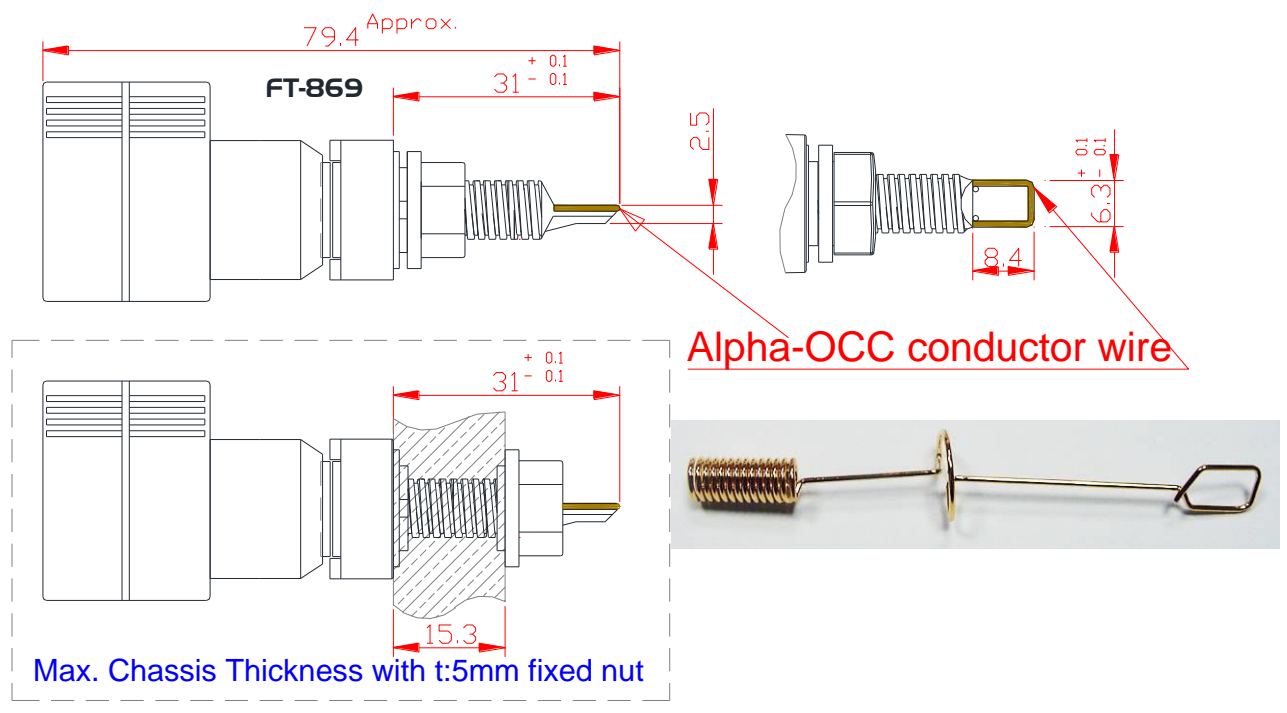


F210

F214

F218

One piece wire construction Main body end terminal Size and torque grade housing view :



Make a More Powerful Connection with Furutech!
FURUTECH CO., LTD • service@furutech.com • www.furutech.com