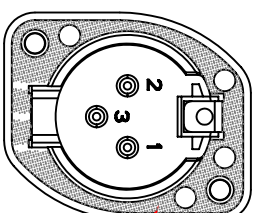
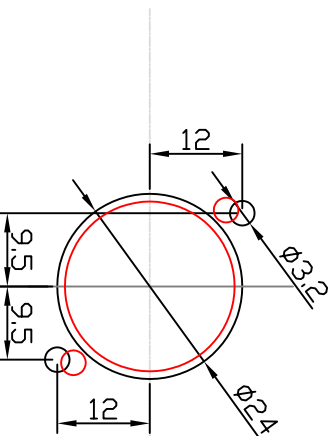
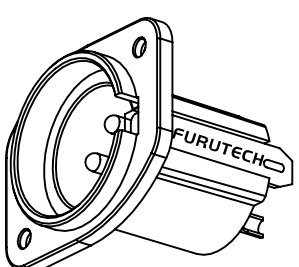


For Rear Mounting use

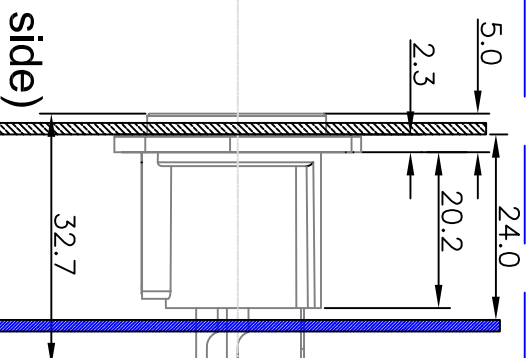


SUS Plate



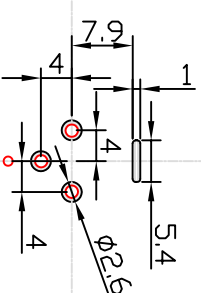
Panel Cut-out Size (Front side)

Panel



PCB plate

For PCB Layout use



DATE	DRAWING	COMPANY	TITLE	SCALE	DRAWING'S NO.
Apr. 2012	HAYASHI	FURUTECH CO., LTD.	FT-785M Outside Size	1 : 1	FT-785M-02