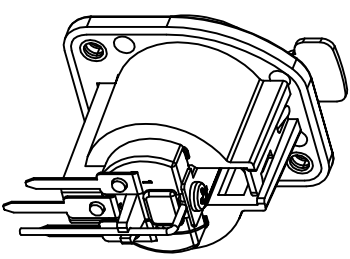


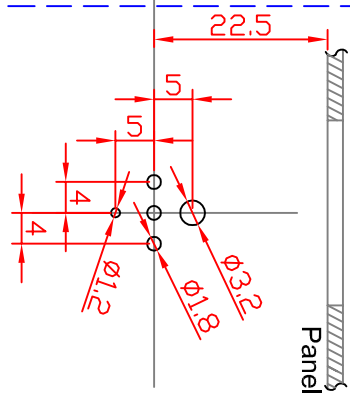
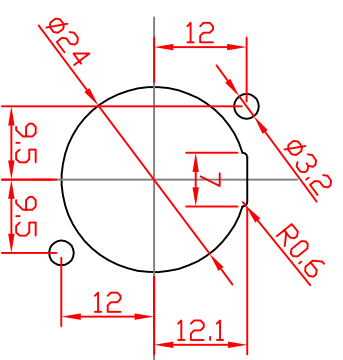
SUS Plate



Panel Cut-out Size (Front side)

For Rear Mounting use

For PCB Layout use



DATE	DRAWING	COMPANY	TITLE	SCALE	DRAWING'S NO.
------	---------	---------	-------	-------	---------------

Mar. 2012 HAYASHI **FURUTECH CO., LTD.** FT-784F Outside Size 1 : 1 FT-784F-01