

FURUTECH

PURE TRANSMISSION



Make A More Powerful Connection With
Furutech Pure Transmission Technology

*Furutech FT-212 Banana Connector
Premier Performance and Legendary Build Quality*



Furutech FT-212(R) Banana Connector

Furutech makes a wide variety of OEM parts known the world over for their quality construction and superb sound. Our engineers examine every part of the signal and power path no matter how small and optimize each and every connection.

Take Banana Connectors:

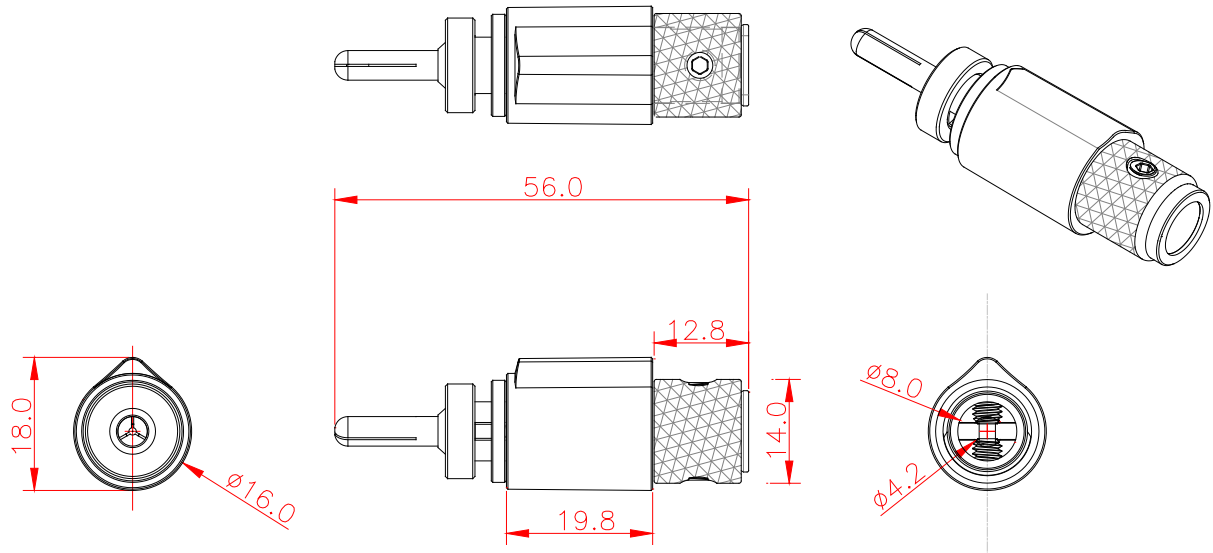
Furutech's beautifully finished, beautiful sounding Banana Connector are the result of meticulous engineering and careful audition of various suitable materials. The FT-212 features an α (Alpha) pure copper conductor for minimal impedance and extremely nonresonant nylon/fiberglass, piezo ceramic insulated body and polycarbonate housing. Unique to the FT-212 is a special patent-pending pin locking mechanism. Pure transmission principles at their finest!

Features and Materials

- Main conductor: Rhodium or 24k gold-plated α (Alpha) Pure copper conductor
- Housing: Black or Marbled finished polycarbonate housing.
- Insulation Body: Nylon/fiberglass with piezo ceramic resin.
- Connections: Termination
- Specified for core diameters up to 4.2mm
- Specified for core insulation diameters up to 7.8mm
- End Ring: Stainless steel

Dimensions: Housing: 18.0 X 16.0 ϕ x 19.8mm (H) overall height
Total overall length: 56.0 mm approx.

FT-212 Outer size



Make a More Powerful Connection with Furutech!
FURUTECH CO., LTD • service@furutech.com • www.furutech.com