

FURUTECH

PURE TRANSMISSION



Furutech FT-784F(G) XLR Female Sockets for PCB

***Premier Performance and
Legendary Build Quality***

Furutech FT-784 F(G) XLR Female PCB mount sockets

Furutech is known the world over for their quality and wide variety of OEM parts. They deliver consistently superb results because Furutech engineers adhere to Pure Transmission principles; examine every element of the signal and power path and optimize each and every one.

Furutech's beautifully finished and just as importantly beautiful sounding XLR sockets are the result of meticulous engineering and careful audition of various materials. The FT-784F features α (Alpha) pure copper conductor for minimal impedance set in a super heat resistant liquid crystal polymer resin and a nonresonant nylon/fiberglass housing containing Furutech's Piezo Ceramic Damping Material. Unique to Furutech FT-784F and FT-783M XLR sockets are special nonmagnetic stainless steel plates that are incorporated into the piezo compound construction using a special Furutech patent-pending process. Pure Transmission principles at their finest!

Features and Materials

- Main conductor: 24k gold-plated α (Alpha) Pure copper conductor
- Housing: Matte black finished Nylon/fiberglass with piezo ceramic resin (SUS plated internal parts)
- End cover: Liquid Crystal Polymer Resin
- Connections: Soldered

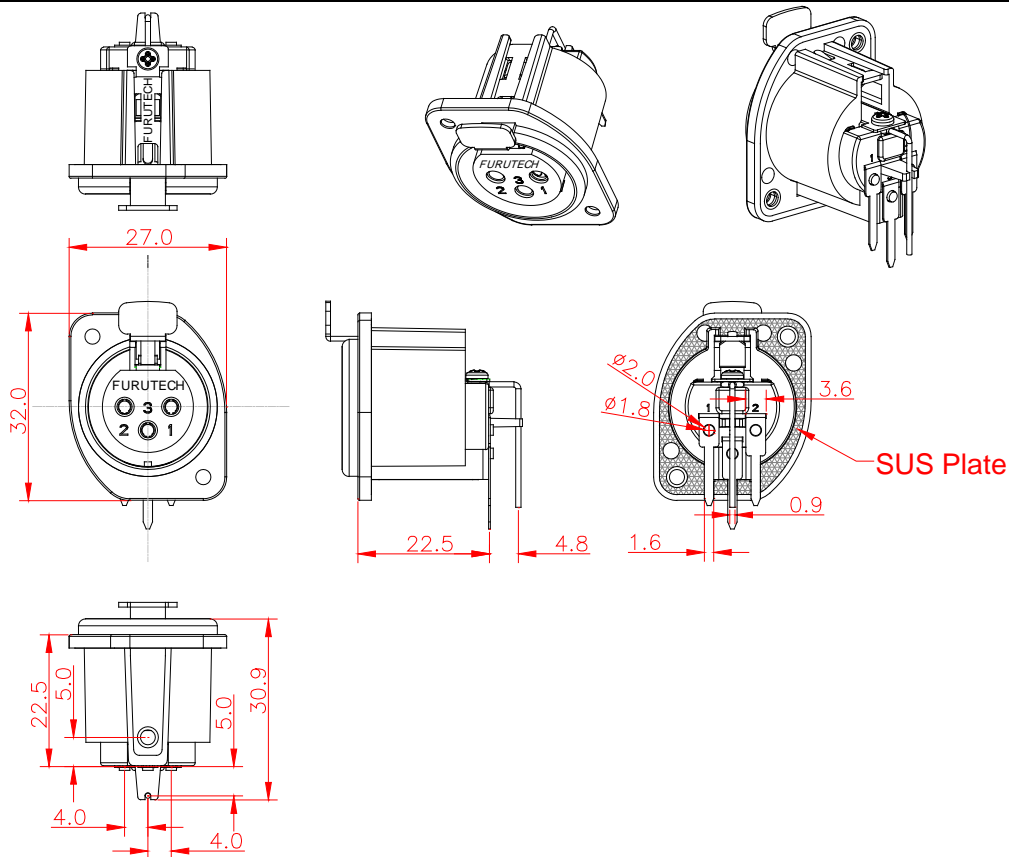
Dimensions:

Insulation Housing: 32.0 x 27.0 x 30.9mm overall height

FT-784F(R) with rhodium plating upon request

Caution: Not for use with AC or DC Power connections.

FT-784F Outside Dimensions



About Furutech

Furutech makes a wide variety of high performance 15A and 20A A/V cable and power connectors and parts, as well as distribution/filtering products including the 120Hz standard xv1.3 HDMI cable, GT2 USB 2.0 and GT3 USB 3.0 cables, Ag-12 Silver Tonearm Cable, The Silver Arrows Tonearm Cable, La Source Headshell Wires, Monza LP Stabilizer Weight, the new Lineflux and Evolution II series, Pure Power 6, e-TP4+4, e-TP609, e-TP615 and e-TP60 Power Distributors, and e-TP80 Power Filters, deMag Disc and Cable Demagnetizer, PC-2 Disc Pure Cleaner, and their own very special NANO Liquid Contact Enhancer, plus even more fine cable and OEM products.

Awards

DeMag Wins CES Best of Innovations '07 • e-TP609 Wins Absolute Sound Product of the Year Awards '07 • G-302A-18 Power Cord Wins 6moons Blue Moon Award '07 • Evolution Cables Wins Best of 2007 Awards Enjoy the Music • Reference III Cables Win Absolute Sound Editors' Choice '07/'08 • AG-12 Phono Cable Wins the SoundStage Network's Reviewers' Choice Award '08 • Ag-12 Phono Cable is Tone Audio's Exceptional Value Award '08 • Monza LP Stabilizer, Silver Arrows Phono Cable, La Source Headshell Extensions All Win Tone Audio's Accessory Products of the Year • xv1.3 HDMI Cable Wins Positive Feedback's Brutus Award '08 • FI-50 Piezo Ceramic Series Connectors Win CES Best of Innovations '09 • Monza LP Stabilizer Wins Positive Feedback's Brutus Award '09 • Select Series Fuses Win Positive Feedback's Brutus Award '09 • GT2 USB Cable is Playback Recommended '09 • Torque Guard Speaker Binding Posts Innovations Honoree '11

All Metal Parts Treated with Furutech's α (Alpha) Super Cryogenic and Demagnetizing Process

Make a More Powerful Connection with Furutech!

FURUTECH CO., LTD • service@furutech.com • www.furutech.com