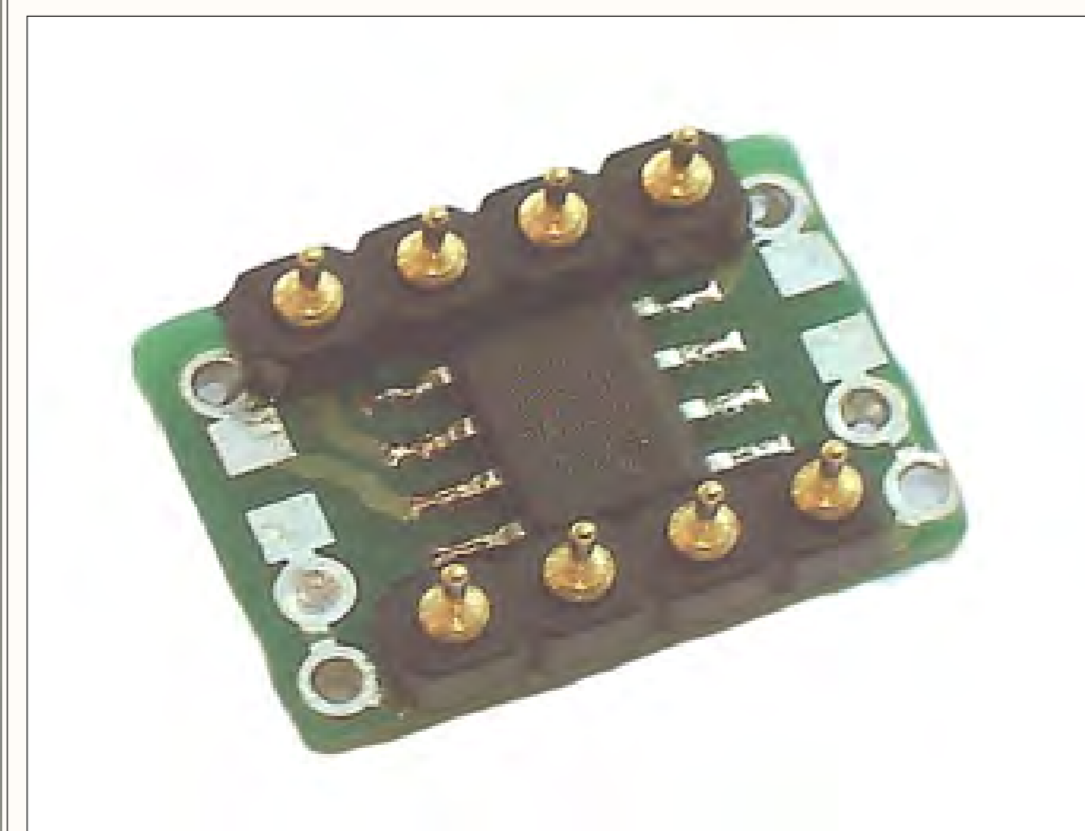
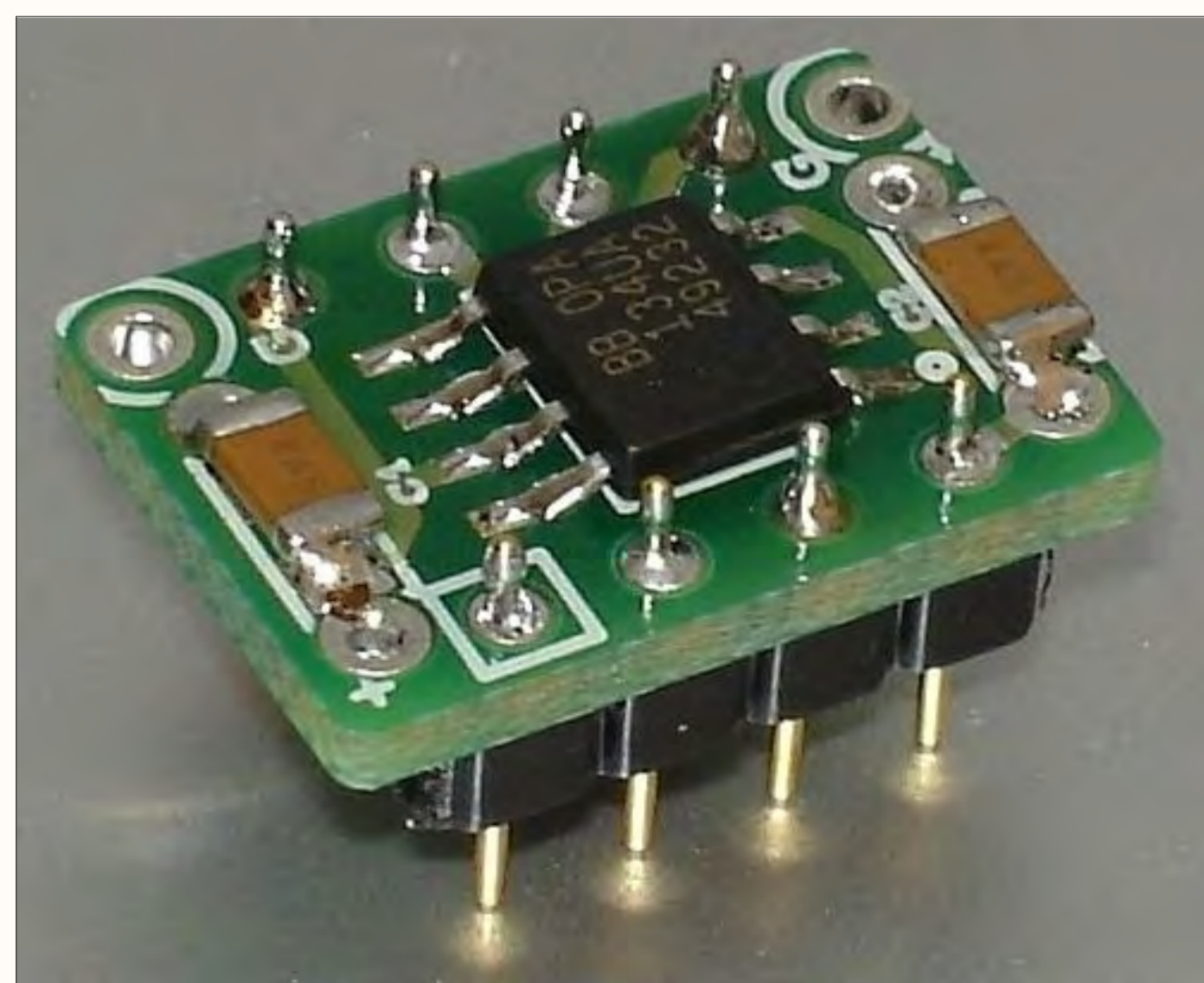
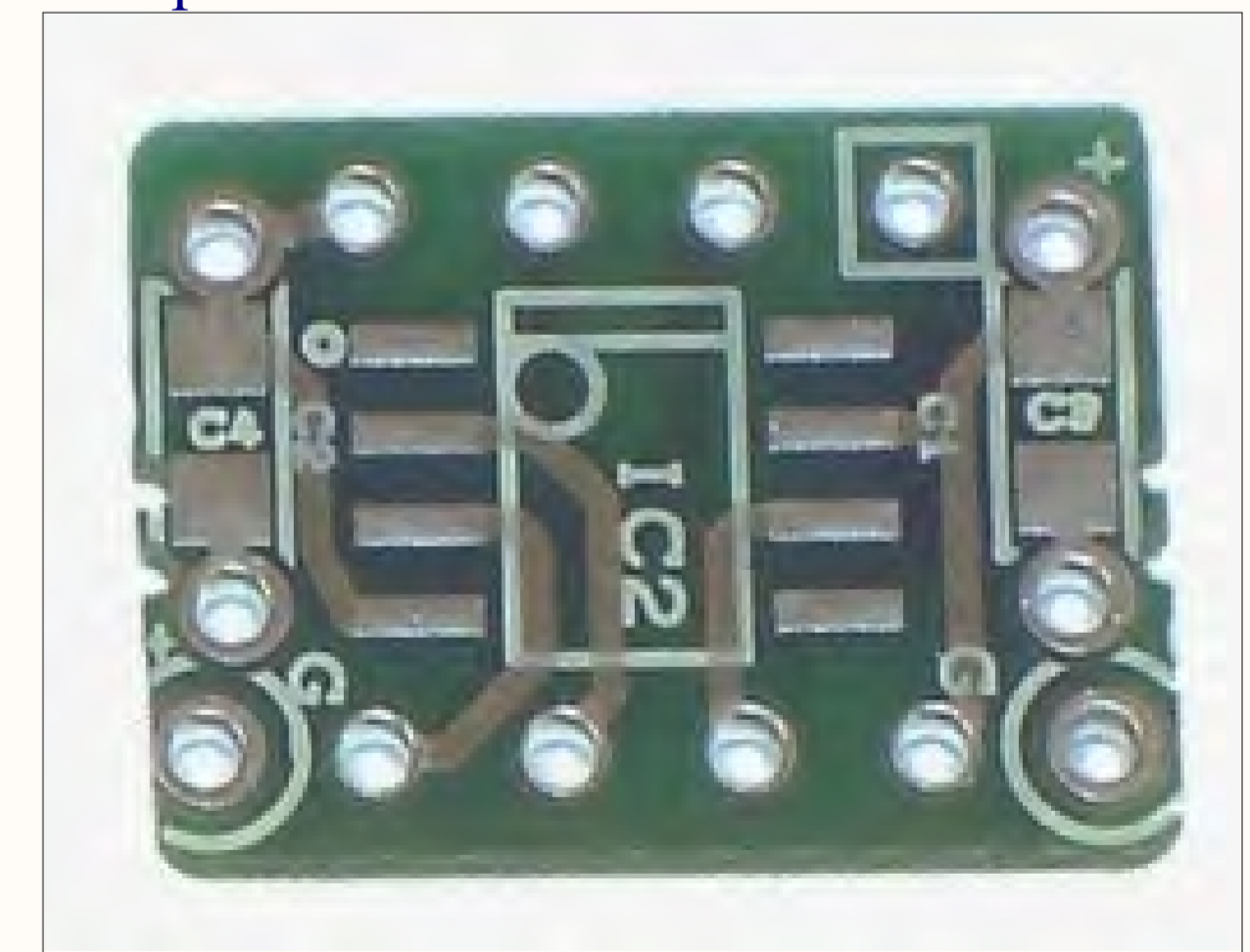


SMD OPamp Adapter: 2X Single SOIC8 -> Dual DIL/DIP8

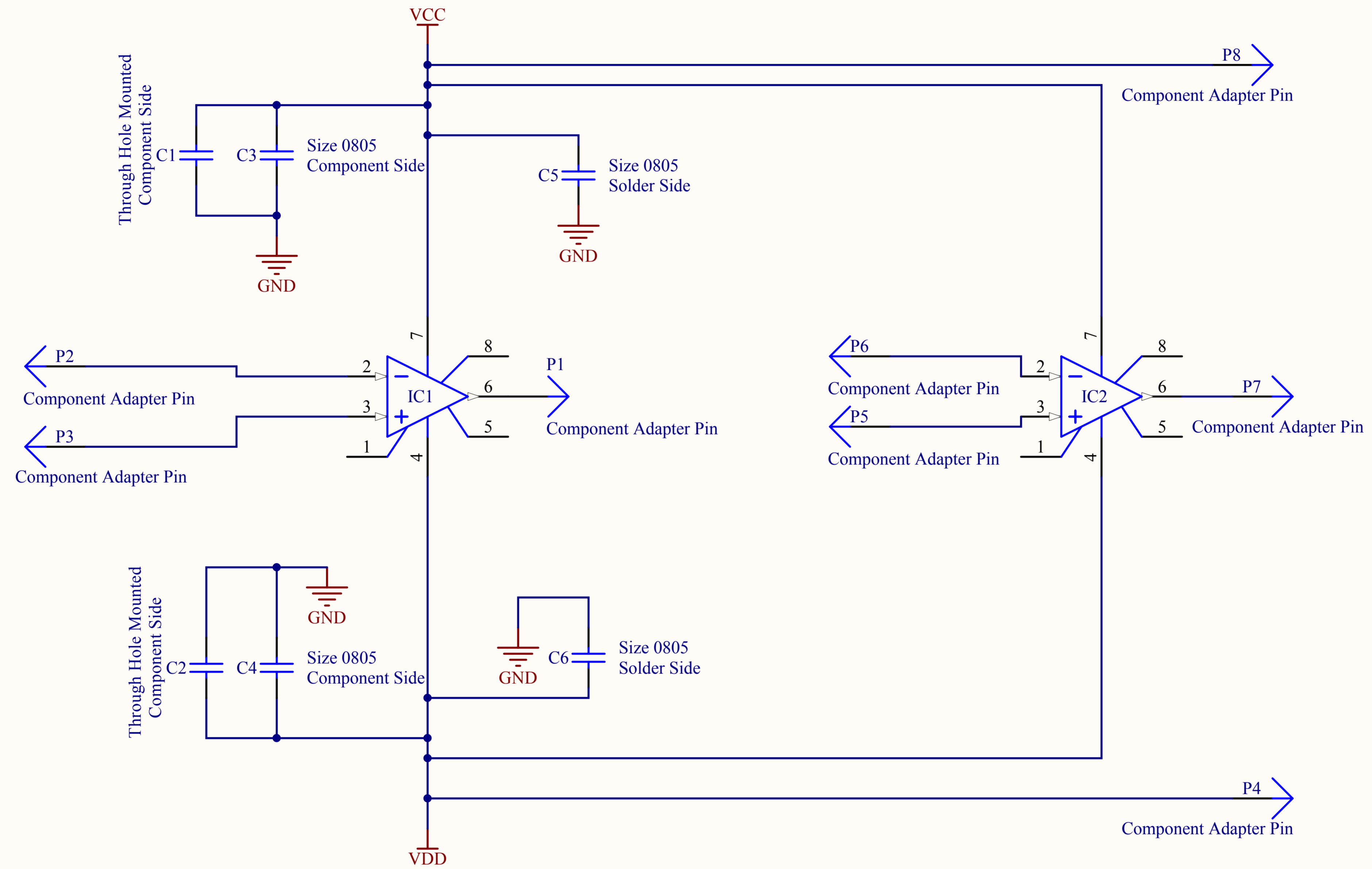


Component Side



Title SMD OPamp Adapter: 2X Single SOIC8 -> Dual DIL/DIP8		
Size A4	Number ADP03	Revision REV 3-3
Date: 7/23/2006	Sheet 2 of 2	
File: Y:\Svalander\...\ADP03 PAGE 2 REV 3-3	Drawn By: SR	

SMD OPamp Adapter: 2X Single SOIC8 -> Dual DIL/DIP8



Title SMD OPamp Adapter: 2X Single SOIC8 -> Dual DIL/DIP8		
Size A4	Number ADP03	Revision REV 3-3
Date: 7/23/2006	Sheet 1 of 2	
File: Y:\Svalander\...\Schema ADP03 REV 3-3.SchDoc	Drawn By: SR	