

SMD OPamp Adapter: Dual SOIC8 -> Dual DIL/DIP8

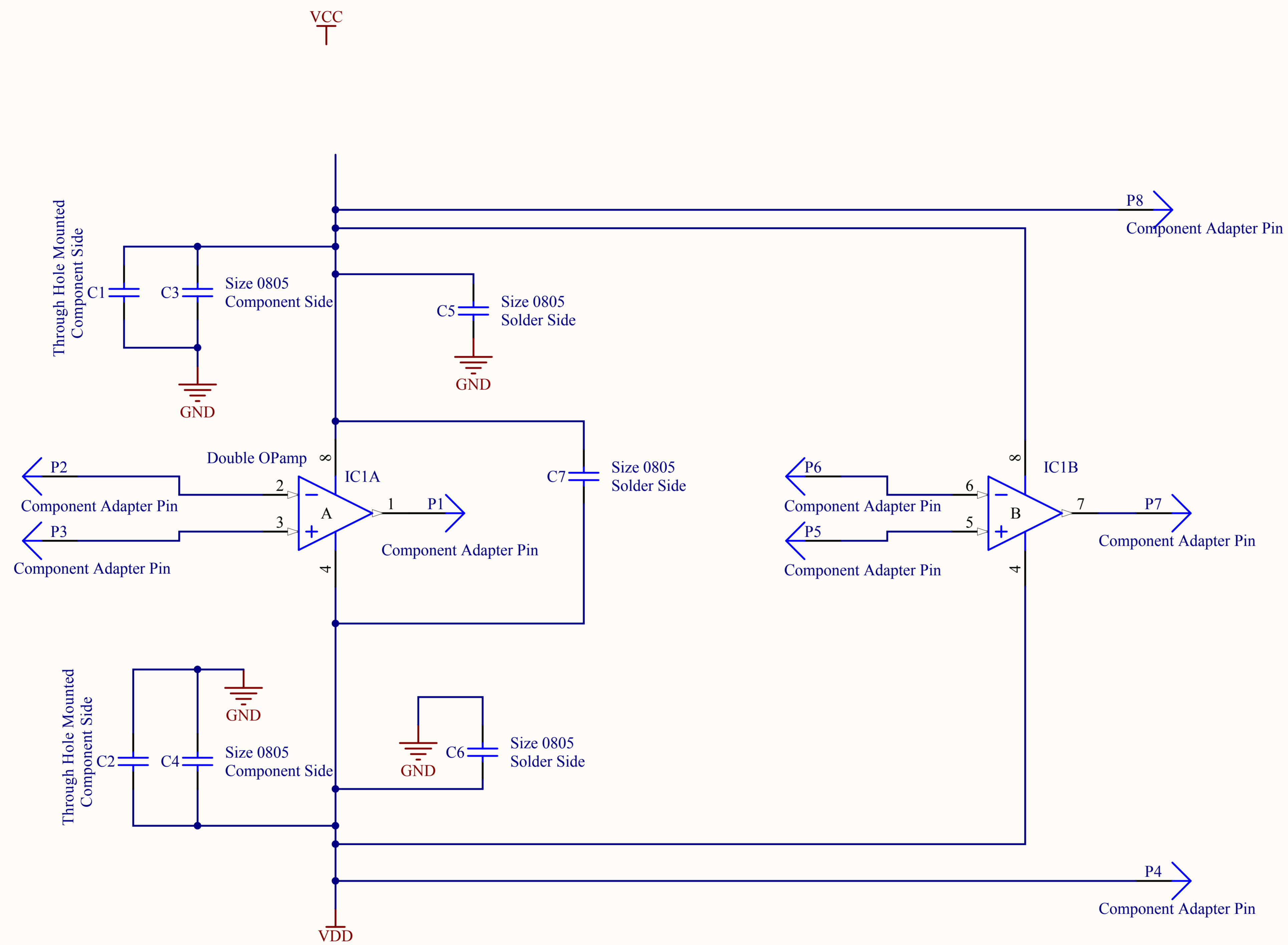


Component Side



Title		
SMD OPamp Adapter: Dual SOIC8 -> Dual DIL/DIP8		
Size	Number	Revision
A4	ADP02	REV 3-3
Date:	7/23/2006	Sheet 2 of 2
File:	Y:\Svalander\...\ADP02 Page 2 REV 3-3.SchDown By: SR	

SMD OPamp Adapter: Dual SOIC8 -> Dual DIL/DIP8



Title		
SMD OPamp Adapter: Dual SOIC8 -> Dual DIL/DIP8		
Size	Number	Revision
A4	ADP02	REV 3-3
Date:	7/23/2006	Sheet 1 of 2
File:	Y:\Svalander\...\Schema ADP02 REV 3-3.SchDoc	Drawn By: SR